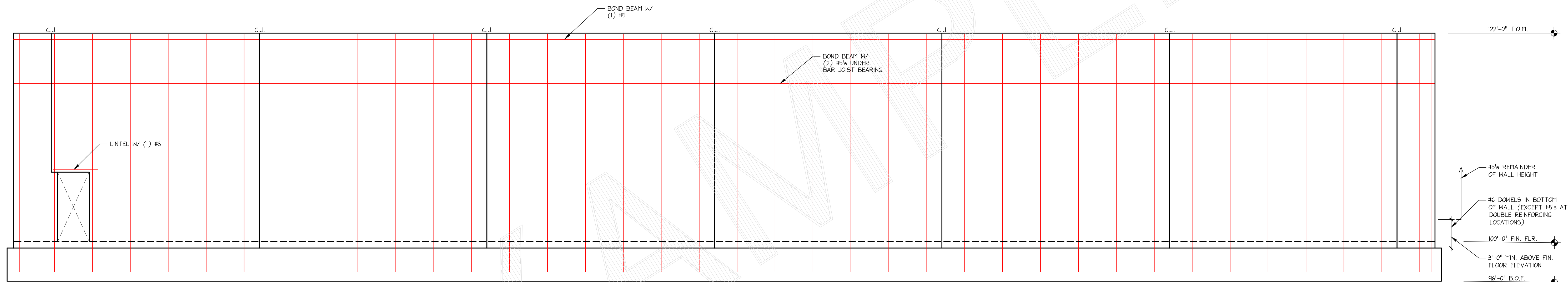


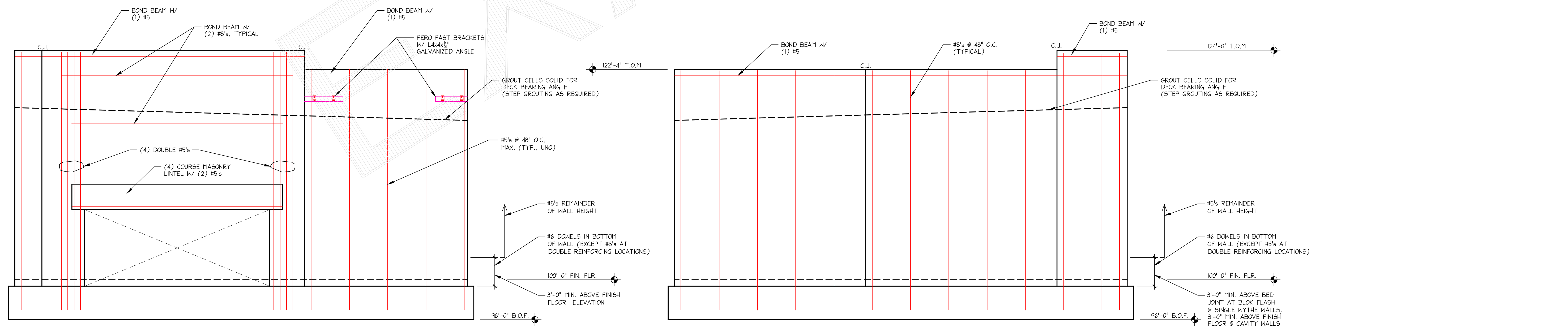
**SOUTH ELEVATION**

SCALE: 3/8"=1'-0"



**NORTH ELEVATION**

SCALE: 3/8"=1'-0"



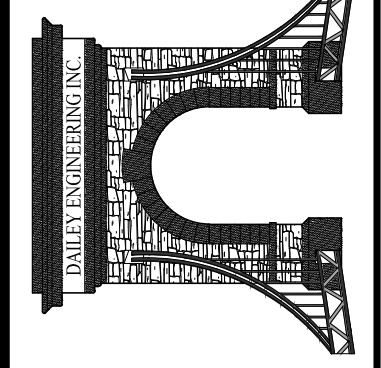
**EAST ELEVATION**

SCALE: 3/8"=1'-0"

**WEST ELEVATION**

SCALE: 3/8"=1'-0"

DAILEY ENGINEERING, INC.  
8485 STEPHENSON ROAD  
ONSTED, MI 49266  
PH: # (517) 467-9000  
FAX # (517) 467-9010



- GENERIC WALL DESIGN -  
STRUCTURAL DETAILS  
SAMPLE WALL REINFORCING ELEVATIONS

24725 WEST TWELVE MILE ROAD  
SUITE 388  
SOUTHFIELD, MICHIGAN 48034  
PH. (248)863-0415  
FAX (248)663-0420

**111 MASONRY**  
Institute of Michigan

DATE: 01/14/2015  
TITLE: SAMPLE REINFORCING ELEVATIONS  
SHEET:

**S-5**

The decision to utilize this information is not within the purview of the MIM, and persons making use of this information do so at their own risk. MIM makes no representation or warranties, expressed or implied, with respect to the accuracy or suitability of this information. MIM and its members disclaim liability for damages of any kind, including any special, indirect, incidental, or consequential damages, which may result from the use of this information. This information is not to be interpreted as indicating compliance with, or waiver of, any provision of any applicable building code, ordinance, standard or law.